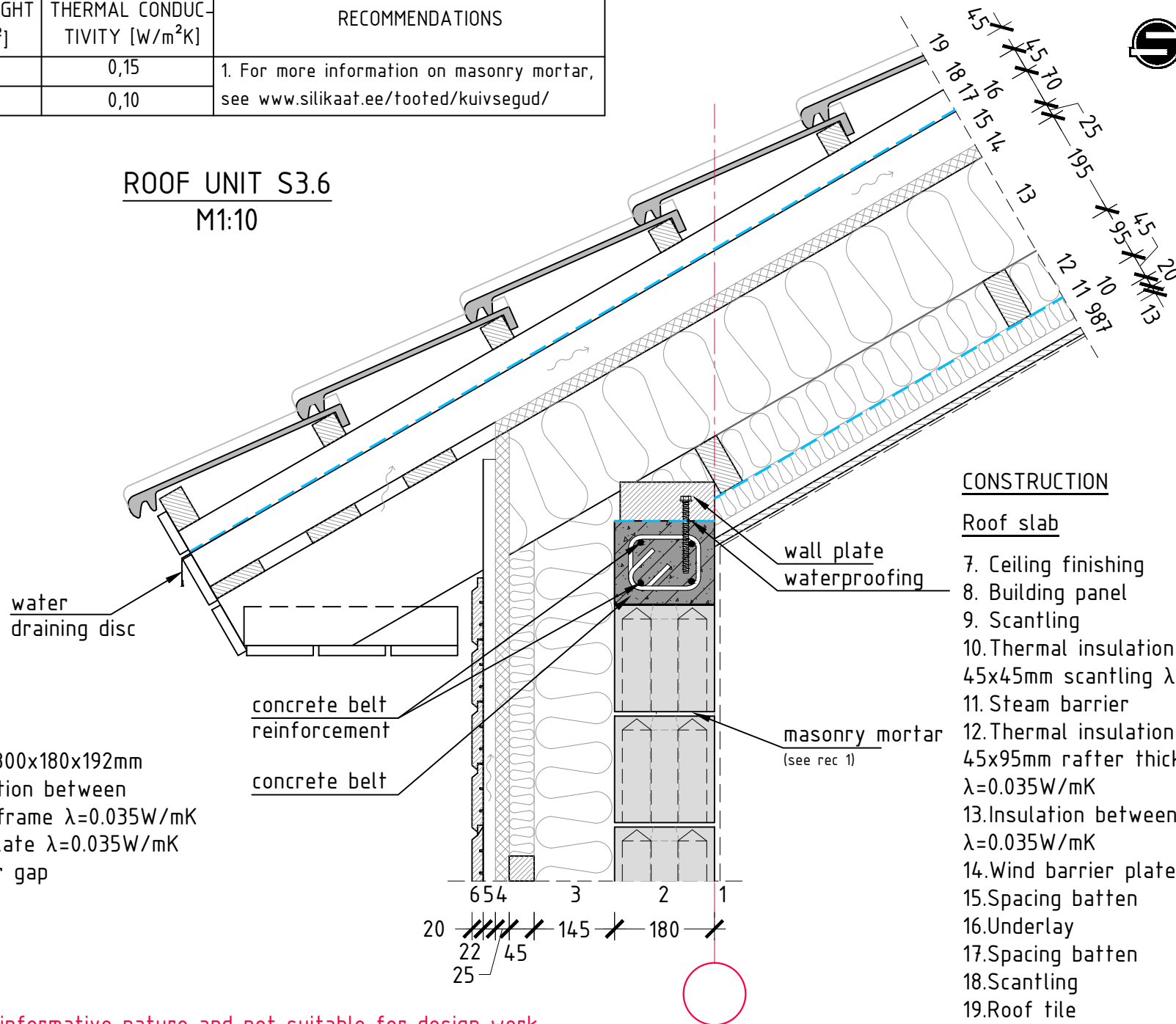


STRUCTURE	NET WEIGHT [kN/m <sup>2</sup> ]	THERMAL CONDUCTIVITY [W/m <sup>2</sup> K]	RECOMMENDATIONS
EXTERIOR WALL	2,9	0,15	1. For more information on masonry mortar, see <a href="http://www.silikaat.ee/tooted/kuiivsegud/">www.silikaat.ee/tooted/kuiivsegud/</a>
ROOF SLABv	0,9	0,10	



**ROOF UNIT S3.6**  
M1:10



**CONSTRUCTION**

**Exterior wall**

1. Interior finish
2. Silicate block 300x180x192mm
3. Thermal insulation between a wooden cross-frame  $\lambda=0.035W/mK$
4. Wind barrier plate  $\lambda=0.035W/mK$
5. A breathing air gap
6. Facade board

- concrete belt reinforcement
- concrete belt

- water draining disc
- wall plate waterproofing

- masonry mortar (see rec 1)

**CONSTRUCTION**

**Roof slab**

7. Ceiling finishing
8. Building panel
9. Scantling
10. Thermal insulation between 45x45mm scantling  $\lambda=0.035W/mK$
11. Steam barrier
12. Thermal insulation between 45x95mm rafter thickening,  $\lambda=0.035W/mK$
13. Insulation between rafters  $\lambda=0.035W/mK$
14. Wind barrier plate  $\lambda=0.035W/mK$
15. Spacing batten
16. Underlay
17. Spacing batten
18. Scantling
19. Roof tile

**NOTE:**

The drawing is of informative nature and not suitable for design work